

## Clotheskeeping

**In the laundry:** Machine wash delicates in a net bag to keep them from snagging on other garments . Dry on a rack or clothesline.

**Ironing:** Iron monograms or custom embroidery face down on a terry towel to prevent crushing by the iron. Iron rest of garment face up.

### **In the Closet:**

- Remove dry cleaning bags. They trap moisture and damage fibers.
- Don't store wool or silk in air tight containers, they need to breathe
- Clean Garments before storing for the season, some stains set.
- Line drawers with our cedar kits and create a mini-cedar closet.
- Line very light garments with acid free paper for added protection.
- Never let moth balls touch the fabric. Place them in an old sock.
- Toss out those wire hangers. Use good tubular, wood are the best.

**In the Garage:** If you need help in getting your garage organized too, then STORAGE CONCEPTS INC. is just the help you need.

Please visit us on line and see our complete line of garage organizers from ceiling lofts, to adjustable wall storage, to custom designed floors. Its high quality and as easily installed as the **It's Organized!**™ closet.

**STORAGE CONCEPTS INC.**

PO Box 6039

Omaha, NE 68106-0039

[www.storageconceptsinc.com](http://www.storageconceptsinc.com)

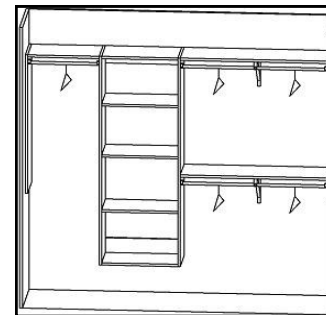


**Storage Concepts, Inc.**

SPACE EFFICIENT STORAGE SYSTEMS FOR HOME AND BUSINESS

# It's Organized!™

## The Complete Closet Organizer pat. Pend.



### **The Complete Closet Organizer**

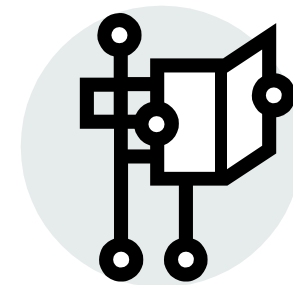
**Fits Any closet 4' to 8' wide –NO CUTTING!**

Included with Basic Kit:

- 2 ft. wide tower with adjustable Shelves
- Two telescopic poles that expand to 8'
- All Necessary assembly Hardware
- Complete Installation Instructions

### **Inside:**

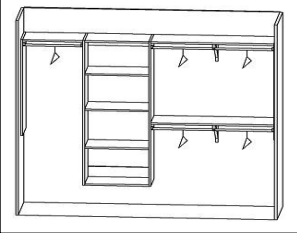
- Complete instructions on how to install your new **It's Organized!**™ system.
- Tips on how to organize your closet and keep your clothing fresh.
- Accessory items to help you even better organize your things.



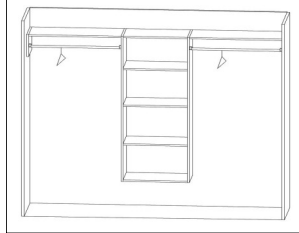
# It's Organized!™ Configurations

••••As Easy as 1-2-3

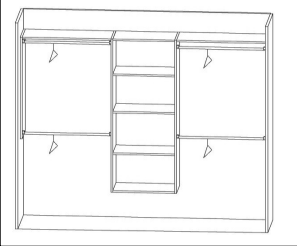
**Basic Closet**



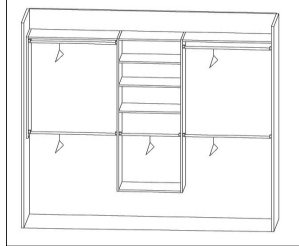
**Women's Basic**



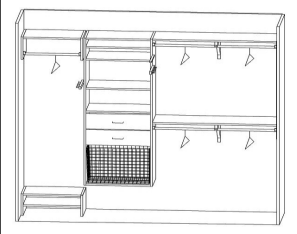
**Men's Basic**



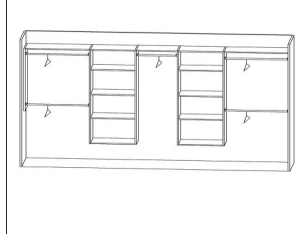
**Basic with Max Hanging**



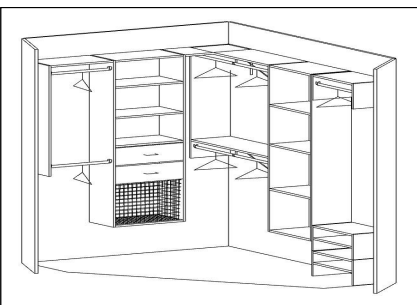
**Deluxe Closet**



**Basic 10 -12' Closet**



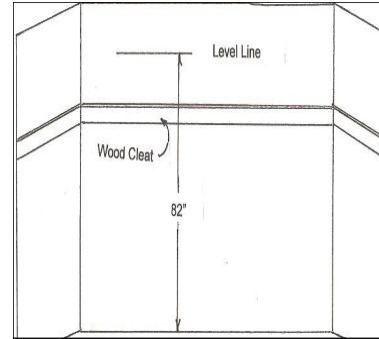
**Deluxe Walk-in Closet**



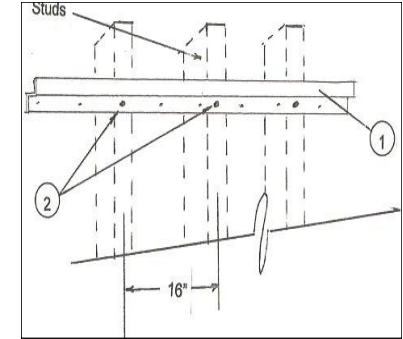
With the exception of the 10-12' closet and the Deluxe Walk-in, all of the above configurations begin with just one complete Closet System.

You can configure and re-configure to meet every need!

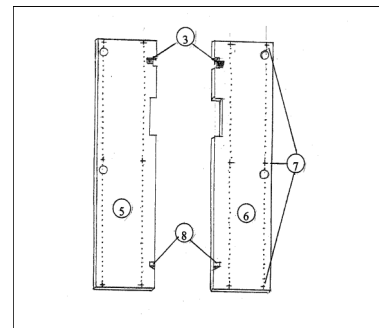
**fig. 1**



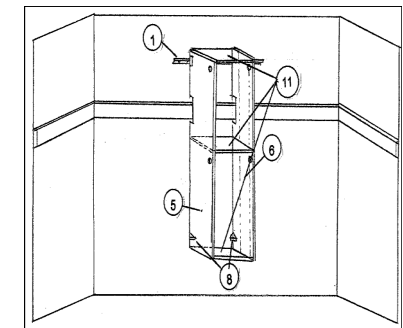
**fig. 2**



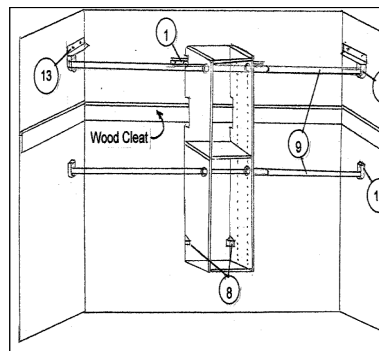
**Fig. 3**



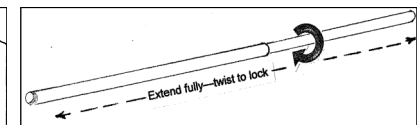
**fig. 4**



**fig. 5**



**fig. 6**



## Assembly . . . .

### Step 1: Screw Hang Rail to Wall.

- A) Begin by removing *everything* from your closet. Now's a great time to toss items never worn and, *Give Goodwill to others!*
  - B) Remove the existing shelf/Rod. It's not necessary to remove the wooden cleat from the wall. The shelf will later be re-installed on top of your new tower—NO CUTTING!
  - C) Determine where you want the tower, draw a level line 82" off floor (**fig 1**). Using a stud finder, locate three studs and screw in the rail (1) using the 2" screws (2) as in (**fig 2**) Snap on Cover (**17**)
- \* NOTE:** The 82" rail height may be higher or lower to allow the notch in the uprights (5-6) to clear your particular cleat height.

### Step 2: Assemble Shelf Tower

- A) Referring to (**fig 3**) attach steel hanger brackets (3) to uprights (5-6) using two Euro Screws (4). Then screw rasant bolts (7) into uprights into top two holes, bottom two holes and center holes 27 holes down from top as shown. Next attach the corner brackets (8) using a euro screw (4)
- B) (**fig 4**) Hang uprights (5-6) on rail (1) about 24" apart where you earlier determined tower location and cam lock the three fixed shelves (11) onto rasant bolts (7) with a #2 Phillips screwdriver. Adjust hanger brackets vertical and horizontal screws and check for level and plumb.  
**NOTE: If your closet is 7' wide or less, insert the rods through the uprights first then spread apart and affix the shelves.**

### Step 3: Attach Shelf Rod Brackets & Rods

- A) Once the tower is level & plumb, then drill a 3/8" hole through corner bracket (8) and fasten with hollow wall anchors (10). (**fig 4**)
- B) Insert both rods (17) into the tower and extend fully. Hold shelf & rod supports (12-13-14) in place, level, mark locations with pencil, drill 3/8"holes and anchor rod supports with drywall anchor/pin (10)
- C) Extend rods fully into supports, twist Rods to lock firmly in place, (**fig 6**) insert shelf pins (15) & adjustable shelves (16). DONE!
- D) Replace your clothing, sit back, and admire an organized closet—**Yours!**

## Accessories

Choose from any of the accessories below to enhance organization with-in your new **It's Organized!™** System.

Drawers - 6 & 10"



Hamper Basket - 20"



Black Velvet Jewelry Insert



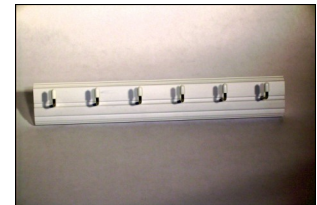
Stackable Shoe Racks



Sliding Tie Rack



Sliding Belt Rack



Valet Rod



Wooden Hangers - 12 Pack



## Required Tools

The following list of tools & hints will make the work easier and ensure a professional looking job.

|                                  |                         |
|----------------------------------|-------------------------|
| • <b>Tape Measure</b>            | • <b>3/8" Drill Bit</b> |
| • <b>Pencil</b>                  | • <b>Stud Finder</b>    |
| • <b>Level</b>                   | • <b>Hammer</b>         |
| • <b>#2 Phillips Screwdriver</b> | • <b>Step Stool</b>     |
| • <b>Screw Gun, #2 Phillips</b>  |                         |

### Helpful Hints

- Draw the level line for the rail full length across the closet wall, this will aid you in positioning the tower.
- When attaching the rail, the screws will penetrate the studs easier if a 1/8" pilot hole is drilled first.
- Hang the uprights one at a time, then lock in the top and bottom shelves, its easier and less heavy to lift.
- Make sure the rods are twisted and locked and then re-install the existing shelf on top of tower.
- **NOTE: If your closet is less than 7' wide, install the rods through the uprights first, then lock in the shelves.**

## Begin Here

- 1) Check that you have all the parts prior to assembly.
- 2) If missing parts, call 1-800-935-8040 first.
- 3) Read these instructions fully before you begin.

### It's Organized!™ Closet Parts Identifier

| Key | Qty. | Description             | Key | Qty. | Description          |
|-----|------|-------------------------|-----|------|----------------------|
| 1   | 1    | 36" Hanging Rail        | 10  | 12   | Dry Wall Anchor/pin  |
| 2   | 3    | 2" x #12 Pan Head Screw | 11  | 3    | 24" Fixed Shelf.     |
| 3   | 2    | Hanger Bracket L & R    | 12  | 1    | R.H. Shelf/Rod Supt. |
| 4   | 10   | Euro Screws             | 13  | 1    | L.H. Shelf/Rod Supt. |
| 5   | 1    | Right Hand Upright      | 14  | 4    | Lower Rod Support    |
| 6   | 1    | Left Hand Upright       | 15  | 8    | White Shelf Pins     |
| 7   | 12   | Rasant Bolts            | 16  | 2    | 24" Movable Shelf    |
| 8   | 2    | Corner Brackets         | 17  | 1    | 49" White Rail Cover |
| 9   | 2    | Telescopic Rod          |     |      |                      |

